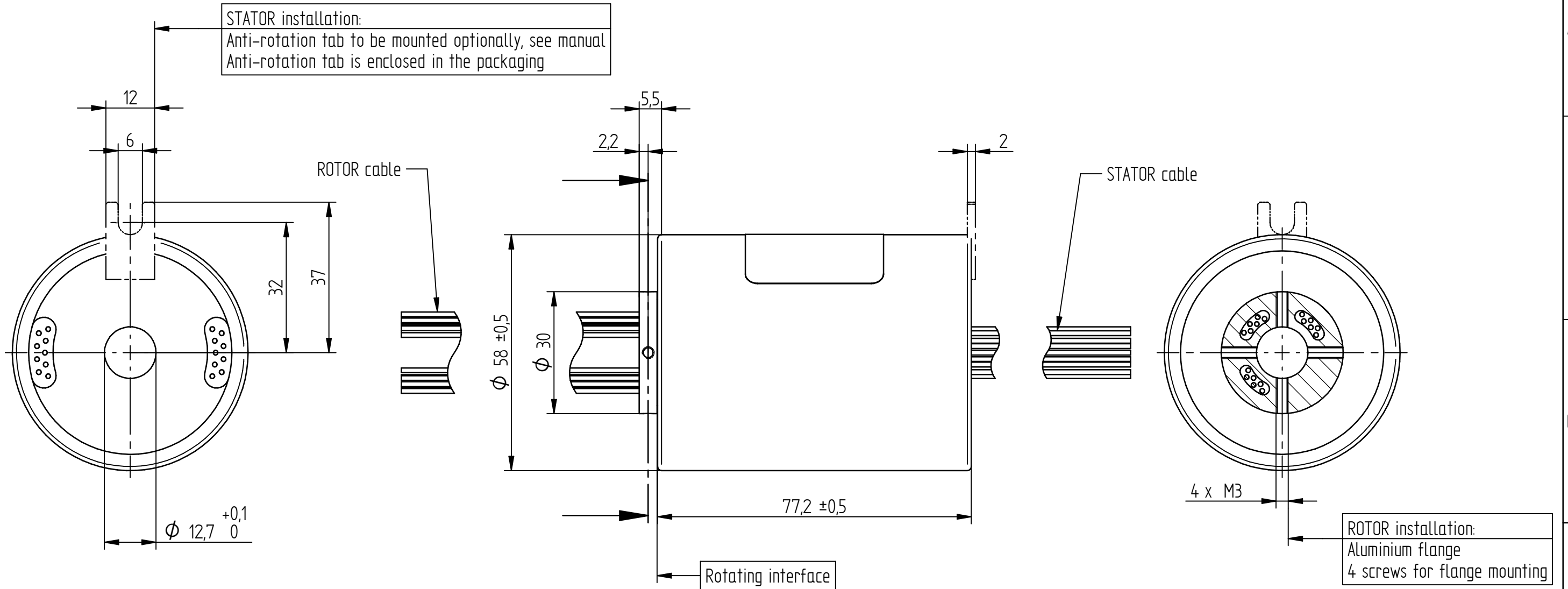


All drawings are the property of Schleifring GmbH/ Germany and are to be treated as confidential. The reproduction, distribution and utilization as well as the communication of its contents to others without express authorization is prohibited. Offenders will be held liable for the payment of damages. All rights reserved in the event of the grant of a patent, utility model or design.



Wiring diagramm see sheet 2

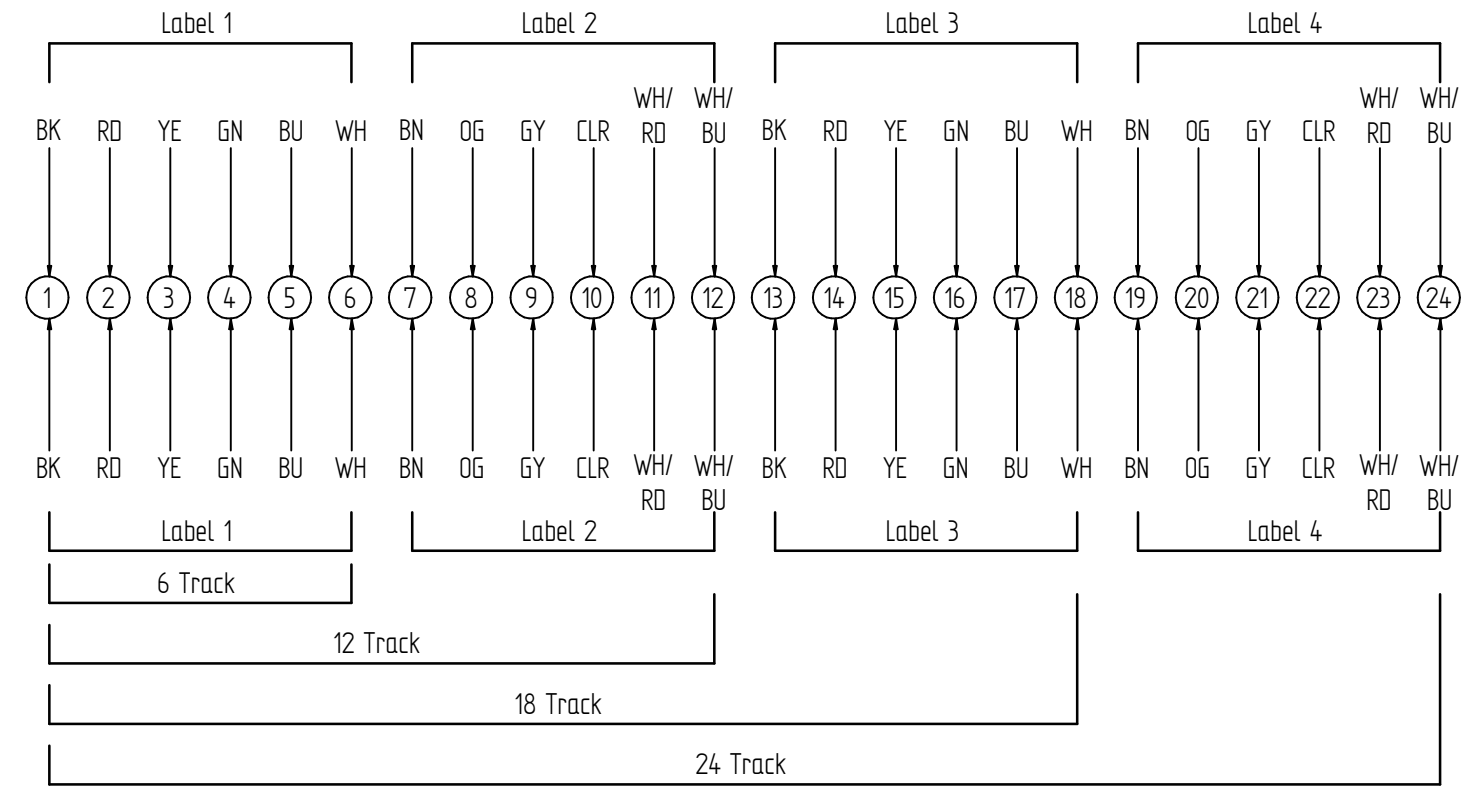
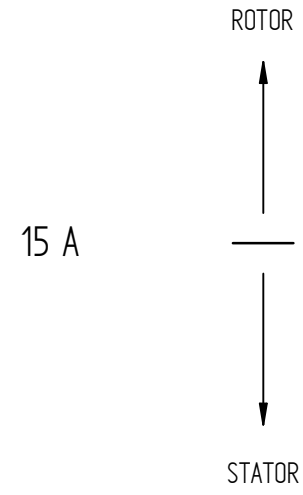
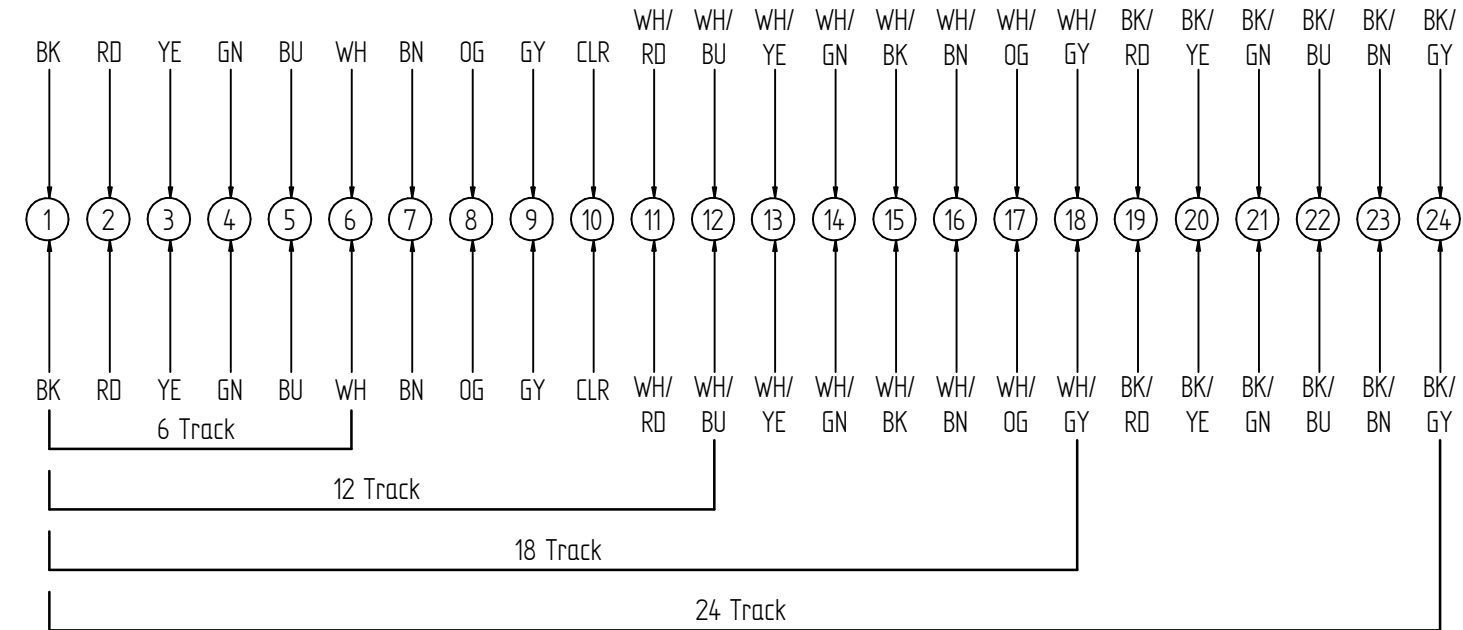
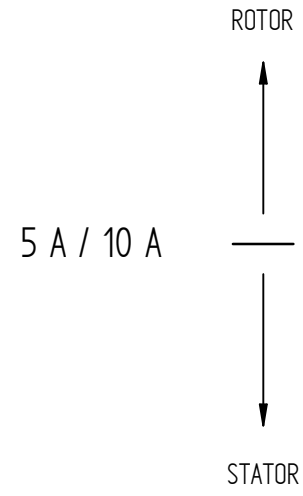
Die Montageanleitung 7BC000000 wird elektronisch bereitgestellt.
 The assembly instruction 7BC000000 is provided in electronic format.

ELECTRONIC & ELECTRIC		MECHANICAL	
Rating Voltage	250 V AC / DC	Working Speed	300 rpm max.
		Inner Diameter	Ø 12,7
		Contact Material	Precious Metals
Current	5 A / Signal	Lead Wire Length	STATOR: 250 mm ROTOR: 250 mm
Track	18	/	/
Insulation Resistance	500 MΩ @ 500 V DC	/	/
ENVIRONMENT		REMARKS	
Working Temperature	-20 °C to +60 °C	Application	see Manual
Working Humidity	≤ 60 % RH	Other	/
Protection Class	IP50	Note:	/

10	1	70C000039	Maverick Schleifring 18-Weg 5A		
Pos.	Anz.	Mat.Nr.	Kurztext	Größe/Abmessung	Werkstoff
1	2	3	4	5	6
DIN ISO 5456-2		TOLERANCES		DIN ISO 13715	
ISO 2768 - mH		+0,3 +0,1		-0,1 -0,3	
STANDARDS		DWG NO		REVISION	
ISO 8015 ISO 14405		7KC000039		A1	
FIRST RELEASE		DESIGNER		DATE	
01.12.2021		CREITER		16.11.2022	
WEIGHT		APPROVED		DATE	
0,001 kg		AGREPPMAYR		21.11.2022	
REFERENCE 2		DESCRIPTION		CHANGE NO	
		Maverick Schleifring 18-Weg 5A		200120151	
REFERENCE 1		SIZE/DIM.		DOCUMENT TYPE	
		Maverick Slip Ring 18-Track 5A		Kundenzeichnung	
		SCHLEIFRING		SHEET	
				1/2	

All drawings are the property of Schleifring GmbH/ Germany and are to be treated as confidential. The reproduction, distribution and utilization as well as the communication of its contents to others without express authorization is prohibited. Offenders will be held liable for the payment of damages. All rights reserved in the event of the grant of a patent, utility model or design.

Cable Table	
Current	Cable
5 A / Signal	AWG17
10 A	
15 A	AWG14



DIN ISO 5456-2 	TOLERANCES ISO 2768 - mH	DIN ISO 13715 	FINISH	SCALE	REFERENCE 2
			MATERIAL	1:1	
STANDARDS ISO 8015 ISO 14405	DWG NO 7KC000039	REVISION A1	FIRST RELEASE		01.12.2021
			DESIGNER	CREITER	16.11.2022
	Beschreibung Maverick Schleifring 18-Weg 5A DESCRIPTION Maverick Slip Ring 18-Track 5A SIZE/DIM.	CHANGE NO 200120151	WEIGHT		0,001 kg
			APPROVED	AGREPPMAYR	21.11.2022
			DOCUMENT TYPE		Kundenzeichnung